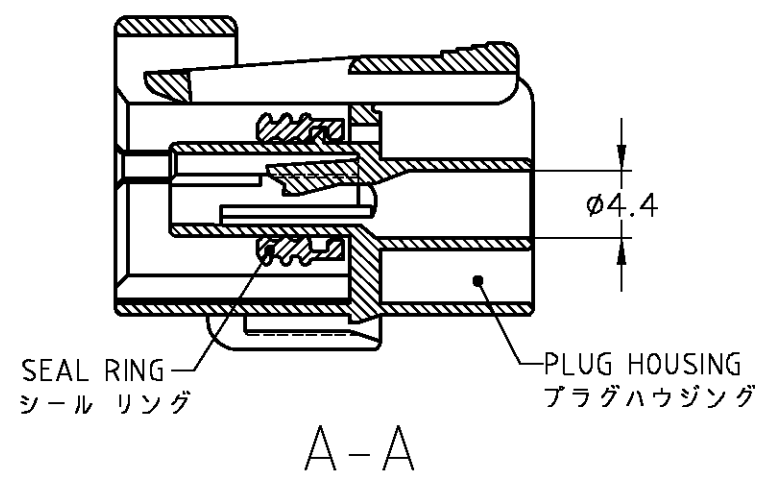
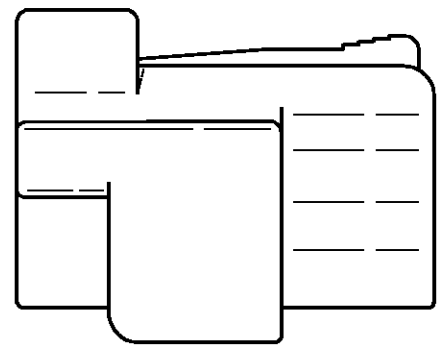
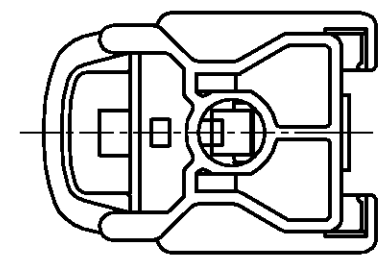
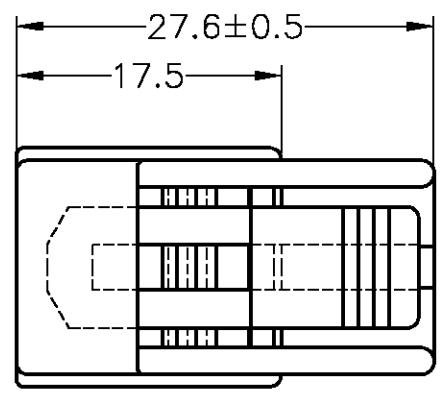
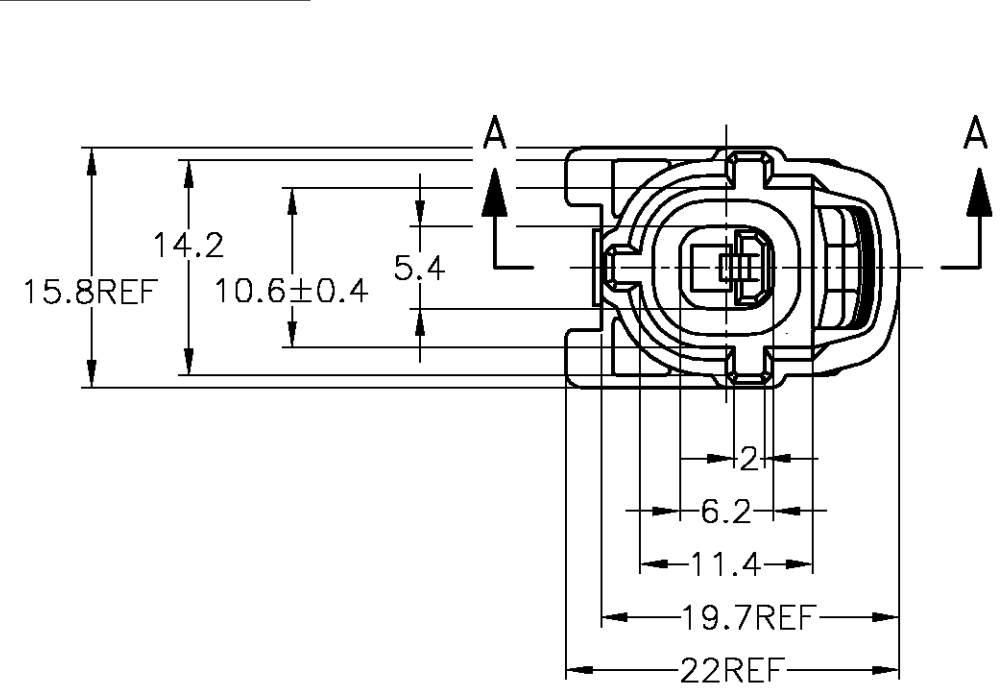


THIS DRAWING IS UNPUBLISHED. RELEASED FOR PUBLICATION
 © COPYRIGHT BY TYCO ELECTRONICS CORPORATION. ALL RIGHTS RESERVED.

LOC	DIST	REVISIONS					
		P	LTR	DESCRIPTION	DATE	DWN	APVD
J	—	A1	REDRAWN W/CHANGE	FJA0-0052-04	09FEB04	TS	KB

TOLERANCE UNLESS OTHERWISE SPECIFIED:
 一般公差
 0 < x ≤ 10 : ±0.2
 10 < x ≤ 30 : ±0.25
 30 < x ≤ 100 : ±0.3
 ANGLE : ±3°
 角度



1. 嵌合相手型番 : 174879
 2. 本品はプラグハウジング単体にシールリングがアッセンブリされたものである。
 3. 本品はダブルロックプレート型番 174878を装着して使用する。
1. FOR CAP HOUSING PN 174879
 2. THIS PART IS COMPOSED OF PLUG HOUSING AND SEAL RING
 3. THIS PART MUST BE USED WITH DOUBLE LOCK PLATE PN 174878

灰 GRAY	174877-6
黒 BLACK	174877-2
色 COLOR	型番 PN

THIS DRAWING IS A CONTROLLED DOCUMENT.		DWN T.SHINOHARA 09FEB04	Tyco Electronics AMP K.K. Kawasaki, Japan	
DIMENSIONS: 単位: 概 MM		CHK K.BETSUI 09FEB04		
TOLERANCES UNLESS OTHERWISE SPECIFIED: 一般公差		APVD K.BETSUI 09FEB04	NAME 名称 1Pos. ECONOSEAL J-MARKII+ CONNECTOR PLUG HOUSING	
0 PLC ± -		PRODUCT SPEC 製品規格 108-5262	SIZE A3	
1 PLC ± -		APPLICATION SPEC 取付適用規格 114-5082	CAGE CODE 00779	DRAWING NO 番号 C-174877
2 PLC ± -		MATERIAL 材料 PBT	WEIGHT 4.1g	RESTRICTED TO -
3 PLC ± -		FINISH 仕上	SCALE 尺度 2:1	
4 PLC ± -			SHEET 1 OF 2	
ANGLES ± -			REV A1	
CUSTOMER DRAWING				

4

3

2

1

THIS DRAWING IS UNPUBLISHED.

RELEASED FOR PUBLICATION

© COPYRIGHT BY TYCO ELECTRONICS CORPORATION. ALL RIGHTS RESERVED.

LOC	DIST	REVISIONS					
		P	LTR	DESCRIPTION	DATE	DWN	APVD
J	—	—	—	SEE 1 OF 2	—	—	—

ブラケット推奨寸法図
RECOMMENDED DIMENSION OF BRACKET

0.2x45^{+0.3}/₀

0.2x45^{+0.3}/₀

13⁰/_{-0.1}

5.8 ± 0.2

R1

R0.5 ± 0.2

6.7 ± 0.1

2.7 ± 0.2

8.9

14.3

R0.5 ± 0.2

A ←

R1.3

B ←

B ←

1.9^{+0.2}/₀

0.4^{+0.2}/_{-0.1}

0.3x45^{+0.2}/_{-0.1}

1.5^{+0.3}/₀

← PRESS

R

R

R

5.8MIN

R2.5REF

1.9^{+0.2}/₀

A-A

 $t = 1.2 \pm 0.08$

6

R

B-B

TOLERANCE UNLESS OTHERWISE SPECIFIED:
一般公差

0 < x ≤ 10 : ±0.2
10 < x ≤ 30 : ±0.25
30 < x ≤ 100 : ±0.3
ANGLE ; ±3°
角度

THIS DRAWING IS A CONTROLLED DOCUMENT.		DWN T.SHINOHARA 09FEB04	tyco Tyco Electronics AMP K.K. Kawasaki, Japan	
DIMENSIONS: 単位: 概 MM		CHK K.BETSUI 09FEB04	NAME 名称 1Pos. ECONOSEAL J-MARKII+ CONNECTOR PLUG HOUSING	
TOLERANCES UNLESS OTHERWISE SPECIFIED: 一般公差		APVD K.BETSUI 09FEB04	PRODUCT SPEC 製品規格	
0 PLC ± 1 PLC ± 2 PLC ± 3 PLC ± 4 PLC ± ANGLES ±		APPLICATION SPEC 取付適用規格	SIZE A3	
MATERIAL 材料		FINISH 仕上	WEIGHT	CAGE CODE 00779
		DRAWING NO 番号 C-174877		RESTRICTED TO —
		CUSTOMER DRAWING		SCALE 尺度 4:1
				SHEET 2 OF 2
				REV A1

AMP 1470-19 REV 31MAR2000

09JAN2004 3:25pm FJ029188

S:\AMP-KawasakiEC\Automotive\en32_automotive\u.a99-0187\ej-bracket\0052-04\c-174877-sh2.dwg